

GV-BX130D-0 / GV-BX130D-1 1.3MP H.264 D/N Box IP Camera

GV-BX130D-0



GV-BX130D-1



- 1.3 megapixel progressive scan CMOS
 - Stream 1 from H.264 or MJPEG;
Stream 2 from H.264, MPEG4 or MJPEG
 - Up to 30 fps at 1280 x 1024
 - Built-in / external microphone
 - 2-way audio
 - One sensor input and alarm output
 - TV-out support
 - Micro SD/SDHC Card Slot
 - Motion detection
 - Tampering alarm
 - Privacy mask
 - IP address filtering
 - DC 12V / PoE
 - Removable IR-cut filter for Day/Night function
 - Varifocal megapixel lens
 - Supports iPhone, iPad, Android & 3GPP
 - 28 languages on Web interface
- * No SD/SDHC card slot & local storage function for Argentina.

Active Tampering Alarm

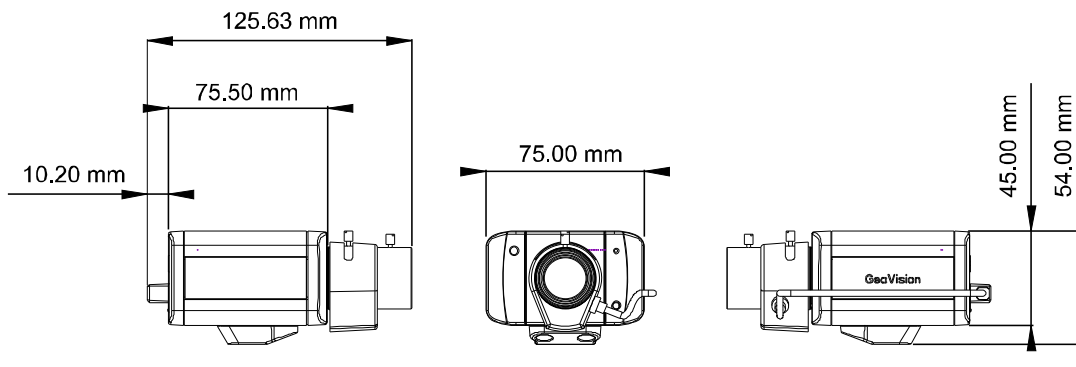
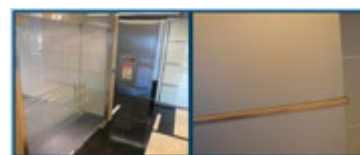
Tampered



Focus Change



Camera Shift



SPECIFICATIONS

Camera	GV-BX130D-0	GV-BX130D-1
Image Sensor	1/2.5" progressive scan CMOS	
Picture Elements	1280 (H) x 1024 (V)	
Minimum Illumination	Color	0.5 Lux at F/1.4
	B/W	0.1 Lux at F/1.4
	IR ON	0 Lux
Shutter Speed	Automatic, Manual (1/5 ~ 1/8000 sec)	
White Balance	Automatic, Manual (2800K ~ 8500K)	
Lens		
Megapixel	Yes	
Day/Night	Yes (with removable IR-cut filter)	Yes
Lens Type	Varifocal	Fixed
Focal Length	2.8 ~ 12 mm	4 mm
Maximum Aperture	F / 1.4	F / 1.5

Mount	CS Mount		
Image Format	1/3"		
Angle of view	Diagonal	115° ~ 45.3°	80.4°
	Horizontal	92° ~ 27.2°	65.4°
	Vertical	69° ~ 20.4°	49.9°
Operation	Focus	Manual (w / lock)	Yes
	Zoom	Manual (w / lock)	No
	Iris	DC	Fixed
Operation			
Video Compression	H.264, MPEG4, MJPEG		
Video Stream	Stream 1 from H.264 or MJPEG Stream 2 from H.264, MPEG4 or MJPEG		
Frame Rate	30 fps at 1280 x 1024 * The frame rate and the performance may vary depending on the number of connections and data bitrates (different scenes).		
Image Setting	Brightness, Contrast, Sharpness, Gamma, White Balance, Flicker-less, Image Orientation, Shutter Speed, D/N Sensitivity, Backlight Compensation		
Audio Compression	G.711, AAC (16 kHz / 16 bit) * AAC is only supported by GV-System V8.5 or later		
Sensor Input	1 Input (Dry Contact)		
Alarm Output	1 Digital Output (200mA 5V DC)		
Video Resolution			
Main Stream	4:3	1280 x 960, 640 x 480, 320 x 240	
	16:9	1280 x 720, 640 x 360, 448 x 252	
	5:4	1280 x 1024, 640 x 512, 320 x 256	
Sub Stream	4:3	640 x 480, 320 x 240	
	16:9	640 x 360, 448 x 252	
	5:4	640 x 512, 320 x 256	
Network			
Interface	10/100 Ethernet		
Ethernet Protocol	HTTP, HTTPS, TCP, UDP, SMTP, FTP, DHCP, NTP, UPnP, DynDNS, 3GPP/ISMA, RTSP, PSIA, SNMP, QoS (DSCP)		
Mechanical			
Lens Mounting	CS-Mount		
Connectors	Power	2-pin terminal block, PoE	
	Ethernet	RJ-45	
	Audio	1 In (Using the built-in microphone or externally connecting a microphone) 1 Out (Stereo phone jack, 3.5 mm / 0.14 in)	
	Digital I/O	3-pin terminal block, pitch 2.5 mm / 0.1 in	
	Auto Iris	Yes	Not functional
	Local Storage	Micro SD/SDHC memory card slot (for Class 6 card or above)	
	TV-Out	BNC connector (640 x 480 resolution)	
LED Indicator	2 LEDs: Power, Status		
General			
Environment Temperature	0 °C ~ 50 °C / 32 °F ~ 122 °F		
Humidity	10% to 90% (no condensation)		
Power Source	12V DC / PoE		
Max. Power Consumption	7 W		
Dimensions (L X W X H)	75.5 x 75 x 54 mm / 3.05 x 2.95 x 2.13 in (without lens)		
Weight	321 g / 0.71 lb		
Regulatory	CE, FCC, C-Tick, RoHS compliant		
Power over Ethernet			
PoE Standard	IEEE 802.3af Power over Ethernet / PSE		
PoE Power Supply Type	End-Span		
PoE Power Output	Per Port 48V DC, 350mA. Max. 15.4 watts		

Web Interface	
Installation Management	Web-based configuration
Maintenance	Firmware upgrade through Web Browser or Utility
Access from Web Browser	Camera live view, video recording, change video quality, bandwidth control, image snapshot, digital I/O control, audio, Picture in Picture, Wide Angle Lens Dewarping, Picture and Picture, Privacy Mask, Visual Automation, Tampering Alarm, Text Overlay
Language	Czech / Danish / English / French / German / Hebrew / Hungarian / Italian / Japanese / Polish / Portuguese / Russian / Serbian / Simplified Chinese / Spanish / Traditional Chinese * Bulgarian, Dutch, Greek, Indonesian, Lithuanian, Norwegian, Persian, Romanian, Slovakian, Slovenian, Thai and Turkish are only supported in V1.07 or later.
Applications	
Network Storage	GV-NVR, GV-System, GV-Backup Center, GV-Recording Server
Mobile Phone support	GV-AView for Android Smartphone, GV-Eye HD for iPad, GV-Eye for iPhone and iPod Touch, GV-GView for Windows PDA, GV-MSView for Windows Smartphone, GV-SSView for Symbian Smartphone, 3G-enabled phone.
Live Viewing	IE , GV-MultiView
CMS Server support	GV-Control Center, GV-Center V2, GV-VSM

Note: Specifications are subject to change without notice.